

PARTS MANUAL

**H190HD2, H210HD2, H230HD2,
H230HDS2, H250HD2, H280HD2
(L007)**

CUSTOMER EDITION

HYSTER

SECTIONS

1	FRAME
2	ENGINE ASSEMBLY - TIER 3 ENGINE
3	ENGINE ASSEMBLY - TIER 4(F) ENGINE
4	FUEL SYSTEM - TIER 3 ENGINE
5	FUEL SYSTEM - TIER 4(F) ENGINE
6	ELECTRICAL SYSTEM
7	TRANSMISSION
8	DRIVE AXLE
9	STEERING SYSTEM
10	BRAKE SYSTEM
11	HYDRAULIC SYSTEM
12	MAST-TWO STAGE LIMITED FREE-LIFT
13	MAST-THREE STAGE FULL FREE-LIFT
14	ATTACHMENTS
15	OPTIONS
16	FIELD CONVERSION KITS
17	NUMERICAL INDEX

This Parts Manual is divided into 17 major sections which are listed above. Quick reference to these sections can be made by placing the right thumb on the tab of the desired section, bending the book back and thumbing the pages to the corresponding tab.

**Thanks very much for your reading,
Want to get more information,
Please click here, Then get the complete
manual**

JustClickHere 

NOTE:

**If there is no response to click on the link above,
please download the PDF document first, and then
click on it.**

**Have any questions please write to me:
admin@servicemanualperfect.com**

TABLE OF CONTENTS

DESCRIPTION	PAGE
A	
ADD-ON OPTION KITS	16-2
AIR CLEANER ASSEMBLY	4-6
AIR CONDITIONER	
CLIMATE CONTROL CAB	1-82
AIR CONDITIONER ASSEMBLY	
CLOSED CAB WITH AIRCO	1-88
AIR CONDITIONER HOSES, COMPRESSOR, AND ATTACHING PARTS	
TIER 3 ENGINE	1-42
TIER 4(F) ENGINE	1-44
AIR CONDITIONER SYSTEM	
CLIMATE CONTROL CAB	1-80
AIR CONDITIONER SYSTEM ASSEMBLY	
CLOSED CAB WITH AIRCO	1-86
AIR DEFLECTOR PLATE	
TIER 3 ENGINE	15-26
AIR DUCT	
CLOSED CAB WITH AIRCO OR CLIMATE CONTROL	15-16
AIR DUCT ASSEMBLY	
AIR CONDITIONING - CLOSED CAB WITH AIRCO OR WITH CLIMATE CONTROL	1-84
HEATER - CLOSED CAB WITHOUT AIRCO	1-92
AIR HEATER STARTING AID	2-9
AIR INTAKE AND FILTER	4-4
HIGH MOUNT AIR CLEANER WITH AIRCO	5-18
HIGH MOUNT AIR CLEANER WITHOUT AIRCO	5-16
LOW MOUNT AIR CLEANER	5-14
AIR INTAKE CONNECTION	4-18
AIR INTAKE MANIFOLD	4-19
AIR TRANSFER CONNECTION	4-20
ALTERNATOR AND MOUNTING	
TIER 3 AND TIER 4(F) ENGINE	6-109
ARMREST ASSEMBLY	
OPEN AND CLOSED CAB	1-72
AUXILIARY COOLING PLUMBING	3-22
AUXILIARY PUMP MOUNTING	2-10
B	
BACK-UP ALARM	15-36
BATTERIES AND CABLES	
TIER 3 ENGINE	6-14
TIER 4(F) ENGINE	6-16
BATTERY DISCONNECT SWITCH	6-9
BELT TENSIONER	3-24
BRAKE ACCUMULATOR AND ATTACHING PARTS	10-4
BRAKE ASSEMBLY	
485 SERIES DRIVE AXLE	8-14
495 SERIES DRIVE AXLE	8-16
BRAKE MANIFOLD AND ATTACHING HOSES	10-2
BRAKE PEDAL AND LINKAGE	10-14

TABLE OF CONTENTS (continued)

DESCRIPTION	PAGE
BRAKE PEDAL ASSEMBLY	10-16
BRAKE VALVE AND ATTACHING HOSES	10-8
BRAKE VALVE AND ATTACHING PARTS	10-12
C	
CAB ATTACHING PARTS	
CLOSED CAB - PAGE 1 OF 3	1-106
CLOSED CAB - PAGE 2 OF 3	1-108
CLOSED CAB - PAGE 3 OF 3	1-110
OPEN CAB - PAGE 1 OF 3	1-100
OPEN CAB - PAGE 2 OF 3	1-102
OPEN CAB - PAGE 3 OF 3	1-104
CAB DOOR	
LEFT HAND - CLOSED CAB	1-64
RIGHT HAND - CLOSED CAB	1-62
CAB FLOORMATS	
OPEN AND CLOSED CAB	1-98
CAB MAIN DOOR WINDOW	
RIGHT AND LEFT HAND - CLOSED CAB	1-66
CAB RECIRCULATING FAN	
CLOSED CAB	15-6
CAB SUNSHADE - REAR	
CLOSED CAB WITH AIRCO - CLOSED CAB WITH AIRCO OR WITH CLIMATE CONTROL	1-60
CAB SUNSHADE - TOP	
CLOSED CAB WITH AIRCO - CLOSED CAB WITH AIRCO OR WITH CLIMATE CONTROL	1-59
CAB TILT	1-26
CAB TILT CYLINDER	1-36
CAB TILT PUMP	
ELECTRIC	1-34
CAB TILT PUMP ASSEMBLY	1-32
CAB WINDOWS INSTALLATION	
CLOSED CAB	1-112
CAMSHAFT	2-11
CARRIAGE	
THREE STAGE-ISS - WITHOUT FORK POSITIONER	14-38
THREE STAGE-ISS - INDIVIDUAL FORK POSITIONER	14-42
THREE STAGE-ISS - SIMULTANEOUS FORK POSITIONER	14-46
THREE STAGE-STANDARD	14-52
TWO STAGE- DUAL FUNCTION - WITH FORK POSITIONER	14-28
TWO STAGE- ISS - WITHOUT FORK POSITIONER, 3-FUNCTION	14-12
TWO STAGE- ISS - WITHOUT FORK POSITIONER, 4, 5, 6-FUNCTION	14-14
TWO STAGE- ISS - WITH INDIVIDUAL FORK POSITIONER, 4, 5, 6-FUNCTION	14-18
TWO STAGE- ISS - WITH SIMULTANEOUS FORK POSITIONER, 4, 5, 6-FUNCTION	14-22
TWO STAGE-STANDARD - WITHOUT FORK POSITIONER, 3-FUNCTION	14-2
TWO STAGE-STANDARD - WITHOUT FORK POSITIONER, 4, 5, 6-FUNCTION	14-4
TWO STAGE-STANDARD - WITH INDIVIDUAL FORK POSITIONER, 4, 5, 6-FUNCTION	14-6
TWO STAGE-STANDARD - WITH SIMULTANEOUS FORK POSITIONER, 4, 5, 6-FUNCTION	14-8
CARRIAGE ASSEMBLY	
TWO STAGE- ISS	14-26

TABLE OF CONTENTS (continued)

DESCRIPTION	PAGE
TWO STAGE-STANDARD	14-10
CLIMATE CONTROL SYSTEM	1-74
CONDENSER	
CLOSED CAB WITH AIRCO OR WITH CLIMATE CONTROL	1-78
CONDENSER SYSTEM	
CLOSED CAB WITH AIRCO OR WITH CLIMATE CONTROL	1-76
CONNECTING RODS AND PISTONS	2-12
CONTROL PANEL ASSEMBLY	
HEATER	6-22
HEATER AND AIR CONDITIONER	6-23
CONTROL VALVE	
PAGE 1 OF 4	7-25
PAGE 2 OF 4	7-26
PAGE 3 OF 4	7-28
PAGE 4 OF 4	7-30
CONTROLLER	
SEAT BELT SEQUENCER	15-21
CONVERTER	7-3
COOLING	2-4
COUNTERWEIGHT	
WITH LIFTING EYES	1-20
WITHOUT LIFTING EYES	1-22
CRANKCASE BREATHER	2-14
CRANKSHAFT	3-30
CRANKSHAFT AND BEARINGS	2-16
CYLINDER BLOCK	2-18
CYLINDER HEAD	2-20
D	
DASH ASSEMBLY	
CLOSED CAB	1-67
DC-DC CONVERTER AND ATTACHING PARTS	15-7
DEF SUPPLY MODULE	5-12
DEF SYSTEM	
H190-210 - PAGE 1 OF 2	5-4
H190-210 - PAGE 2 OF 2	5-6
H230-280 - PAGE 1 OF 2	5-8
H230-280 - PAGE 2 OF 2	5-10
DEF TANK ASSEMBLY	5-13
DIFFERENTIAL AND CARRIER	8-8
DIRECTIONAL CONTROL VALVE ASSEMBLY	
FOUR-SECTION	14-33
THREE-SECTION	14-32
TWO-SECTION	14-31
DRAIN PLUG, FUEL PUMP	5-35
DRIVE AXLE HOUSING AND ATTACHING PARTS	8-6
DRIVE BELT TENSIONER	2-22
DRIVE TIRES AND WHEELS	
MICHELIN XZM	8-2

TABLE OF CONTENTS (continued)

DESCRIPTION	PAGE
TRELLEBORG - SOLID TIRE	8-4
TRELLEBORG T-900	8-3
TRELLEBORG TR900	8-5
DRIVE TRAIN	7-4
E	
ELECTRIC HORN	1-58
ELECTRICAL SYSTEM	
TIER 3 ENGINE	6-4
TIER 4(F) ENGINE	6-6
EMPTY SEAT ENGINE SHUTDOWN	15-22
ENGINE ATTACHING PARTS	3-18
ENGINE BLOCK HEATER	
QSB 4.5 - 120V	15-28
QSB 4.5 - 240V	15-30
QSB 6.7 - 120V	15-32
QSB 6.7 - 240V	15-34
ENGINE CONNECTION	7-7
ENGINE CONTROL MODULE	
TIER 3 ENGINE	6-110
TIER 4(F) ENGINE	6-112
ENGINE COOLANT VENT	2-23
ENGINE MOUNTING	2-8
ETR CONTROL MODULE WIRE HARNESS	
TIER 3 ENGINE	6-114
TIER 4(F) ENGINE	6-116
EXHAUST GAS RECIRCULATION	3-32
EXHAUST MANIFOLD	2-24
EXHAUST OUTLET CONNECTION	2-25
EXHAUST PIPE	
DRT	3-13
EXHAUST RECIRCULATION AIR PLUMBING	3-36
EXHAUST RECIRCULATION WATER PLUMBING	3-38
EXHAUST SYSTEM	
→ PENDING PER ECN 68711-87	2-2
PENDING PER ECN 68711-87 →	2-3
HIGH MOUNT END PIPE	3-8
LOW MOUNT END PIPE	3-4
EXTERIOR MIRRORS	15-12
F	
FAN DRIVE	2-26
FAN SPACER	2-27
FIRST SPEED CLUTCH ASSEMBLY	7-14
FLAT GLASS CONVERSION KIT	16-2
FLOORPLATES	1-24
FLOW DIVIDER MANIFOLD	14-56
FLYWHEEL AND MOUNTING	2-28
FLYWHEEL HOUSING	2-30

TABLE OF CONTENTS (continued)

DESCRIPTION	PAGE
FORK POSITIONING CYLINDER	14-34
FORKS	14-58
FORWARD AND REVERSE LEVER TO MONOTROL KIT	16-2
FORWARD CLUTCH ASSEMBLY	7-20
FREE-LIFT CYLINDER	13-12
FRONT GEAR COVER	2-32
FUEL DRAIN PLUMBING	5-36
FUEL FILTER	4-21
FUEL FILTER AND WIRE HARNESS	4-22
FUEL FILTER MOUNTING	5-40
FUEL FILTER PLUMBING	4-23
FUEL FILTER WITH WATER SEPARATOR	5-42
FUEL INJECTOR PLUMBING	4-26
FUEL INJECTORS	4-24
FUEL INLET FITTING	4-28
FUEL LINES	4-8
FUEL PLUMBING	4-30
FUEL PUMP	4-32
FUEL PUMP PLUMBING	5-48
FUEL TANK	4-2
H	
HAND HOLE COVER	3-45
HAND PUMP	1-30
HEADER HOSE	
THREE STAGE FULL FREE-LIFT	14-64
TWO STAGE LIMITED FREE-LIFT	14-60
HEAT SHIELD	3-46
HEATED TOP WINDOW	
CLOSED CAB	15-20
HEATER AND AIR DUCT	
CLOSED CAB WITHOUT AIRCO	1-90
HEATER ASSEMBLY	
CLOSED CAB WITHOUT AIRCO	1-96
HEATER HOSES	
TIER 3 ENGINE	1-46
TIER 3 ENGINE - ALTERNATE CONFIGURATION	1-48
TIER 4(F) ENGINE	1-50
TIER 4(F) ENGINE - ALTERNATE CONFIGURATION	1-52
HEATER SYSTEM	
CLOSED CAB WITHOUT AIRCO	1-94
HIGH PRESSURE HYDRAULIC FILTER AND GEAR PUMP AND ATTACHING BRAKE HOSES	10-6
HOODS AND COVERS	
TIER 3 ENGINE	1-54
TIER 4(F) ENGINE	1-56
HUB AND SHAFT ASSEMBLY	8-10
HYDRAULIC CONTROL VALVE	
FOUR FUNCTION - LIFT SECTION, RH	11-36
THREE AND FOUR FUNCTION - LIFT SECTION, LH	11-34

TABLE OF CONTENTS (continued)

DESCRIPTION	PAGE
THREE AND FOUR FUNCTION - AUXILIARY SECTION	11-38
THREE AND FOUR FUNCTION - HIC, BRAKE/ACCUMULATOR	11-39
THREE AND FOUR FUNCTION - TILT SECTION	11-40
THREE AND FOUR FUNCTION - HIC, MID-INLET	11-42
HYDRAULIC CONTROL VALVE AND ATTACHING BRAKE HOSES	10-10
HYDRAULIC CONTROL VALVE AND ATTACHING PARTS	
FOUR FUNCTION - PAGE 1 OF 2	11-28
FOUR FUNCTION - PAGE 2 OF 2	11-30
THREE FUNCTION - PAGE 1 OF 2	11-22
THREE FUNCTION, 105 CC PUMP - PAGE 2 OF 2	11-26
THREE FUNCTION, 90 CC PUMP - PAGE 2 OF 2	11-24
HYDRAULIC CONTROL VALVE ASSEMBLY	
FOUR FUNCTION	11-33
THREE FUNCTION	11-32
HYDRAULIC CONTROLS	
JOYSTICK	11-18
HYDRAULIC LEVERS	
FOUR-LEVER CONTROL PANEL - WITH CLAMPING	11-16
FOUR-LEVER CONTROL PANEL - WITHOUT CLAMPING	11-17
THREE-LEVER CONTROL PANEL	11-15
TWO-LEVER CONTROL PANEL	11-14
HYDRAULIC PUMP AND ATTACHING PARTS	
90CC, TIER 3 ENGINE	11-44
HYDRAULIC PUMPS AND ATTACHING PARTS	
105CC AND 120CC, TIER 4(F) ENGINE	11-48
120CC, TIER 3 ENGINE	11-46
HYDRAULIC SUPPLY AND RETURN	
FOUR FUNCTION	11-52
FOUR FUNCTION - WITH ACCUMULATOR OPTION	11-54
FOUR, FIVE, AND SIX FUNCTION - TWO STAGE	11-56
FOUR, FIVE, AND SIX FUNCTION - THREE STAGE	11-58
THREE FUNCTION - DUAL FUNCTION SIDE-SHIFT FORK POSITIONER, TWO STAGE	11-57
THREE FUNCTION - DUAL FUNCTION SIDE-SHIFT FORK POSITIONER, THREE STAGE	11-60
THREE FUNCTION	11-62
THREE FUNCTION - WITH ACCUMULATOR OPTION	11-64
HYDRAULIC TANK AND ATTACHING HYDRAULIC HOSES	
TIER 3 ENGINE, 120CC HYDRAULIC PUMP	11-10
TIER 3 ENGINE, 90CC HYDRAULIC PUMP	11-8
TIER 4(F) ENGINE	11-12
HYDRAULIC TANK ASSEMBLY	11-6
I	
INDICATOR DISPLAY AND CONTROLS	6-20
INNER MAST	12-6
INPUT FLANGE	7-24
J	
JOYSTICK ASSEMBLY	11-20

TABLE OF CONTENTS (continued)

DESCRIPTION	PAGE
L	
LABELS	
HYDRAULIC CONTROLS	1-114
PAGE 1 OF 3	1-116
PAGE 2 OF 3	1-118
PAGE 3 OF 3	1-120
LEVERS TO JOYSTICK KIT	16-2
LIFT	12-8
LIFT ACCUMULATOR AND ATTACHING PARTS	11-50
LIFT CYLINDERS	12-16
LIFTING BRACKETS AND MOUNTING	2-34
LIFTING EYES	15-10
LIGHT SWITCHES	6-118
LIGHTS	
DIRECTIONAL AND MARKER	6-99
DIRECTIONAL AND MARKER - LED	6-100
FRONT FENDER	6-98
MAST WORK	6-102
REAR WORK	6-101
STROBE, WITH CONDENSER	6-104
STROBE, WITHOUT CONDENSER	6-105
TAIL (→ PENDING PER ECN 68671-15)	6-106
TAIL (PENDING PER ECN 68671-15 →)	6-107
WORK	6-108
LOAD BACKREST	1-3
M	
MAIN LIFT AND CHAINS	12-12
MAIN LIFT CYLINDER	13-11
MAP READING LIGHT	
CLOSED CAB	15-2
MAST ASSEMBLY	
PAGE 1 OF 3	13-4
PAGE 2 OF 3	13-6
PAGE 3 OF 3	13-8
MAST INSTALLATION	12-2
MONOTROL PEDAL ASSEMBLY	4-16
MONOTROL TO FORWARD AND REVERSE LEVER KIT	16-2
MUD FLAPS	
FRONT	15-23
REAR	15-24
MUFFLER/CATALYTIC CONVERTER ASSEMBLY	
DOC	3-12
SCR	3-11
O	
OIL COOLER	2-36
OIL DIPSTICK	7-13
OIL FILTER, FULL FLOW	2-37

TABLE OF CONTENTS (continued)

DESCRIPTION	PAGE
OIL LEVEL GAUGE	2-38
OIL PAN	2-39
OIL PUMP AND MOUNTING	2-40
OPTIONAL MOUNTING EQUIPMENT (HANDLE)	15-37
OUTER MAST	12-4
P	
PARK BRAKE	8-12
PEDAL LINKAGE	
FORWARD/REVERSE LEVER	4-12
FORWARD/REVERSE LEVER	5-24
MONOTROL	4-14
MONOTROL	5-26
PIVOT ARM ASSEMBLY	
OPEN AND CLOSED CAB	1-70
PLUG, CAB HEATER PLUMBING	2-41
PLUG, COOLANT HEATER STARTING AID	2-42
PLUG, TORQUE CONVERTER OIL COOLER	3-55
POWER SUPPLY POWER BOARD	
TIER 3 ENGINE	6-10
TIER 4(F) ENGINE	6-12
POWER TAKE-OFF	7-6
POWERED CAB TILT CONVERSION KIT	16-2
PRESSURE FILTER	7-11
PRESSURE OIL PUMP	7-5
PRESSURE REGULATOR	7-31
R	
RADIATOR ASSEMBLY	2-6
RADIO CONSOLE AND ATTACHING PARTS	
CLOSED CAB ONLY	1-68
RADIO CONSOLE, SPEAKERS, AND ANTENNA	
CLOSED CAB ONLY - ONLY WITH DC-DC CONVERTER	15-18
RAIN TOP	
OPEN CAB	15-4
REAR GEAR HOUSING	2-43
REAR GEAR TRAIN MOUNTING	2-44
REAR LOCKING CONSOLE	
CLOSED CAB	15-5
RELAYS AND FUSES	6-46
REVERSE CLUTCH ASSEMBLY	7-22
ROCKER LEVERS	2-46
S	
SEAT ASSEMBLY	
SUSPENSION	1-16
SEAT ASSEMBLY, AIR SUSPENSION	1-6
DELUXE	1-8
WITH THREE POINT SEAT BELT	1-10
SEAT ASSEMBLY, MECHANICAL SUSPENSION	1-4

TABLE OF CONTENTS (continued)

DESCRIPTION	PAGE
SECOND 12V SOCKET OPTION	15-8
SECOND SPEED CLUTCH ASSEMBLY	7-16
SIDE-SHIFT CYLINDER	
TWO STAGE LIMITED FREE-LIFT - DUAL FUNCTION WITH FORK POSITIONER	14-36
TWO STAGE LIMITED FREE-LIFT AND THREE STAGE FULL FREE-LIFT	14-50
STARTER MOTOR	2-48
STEER AXLE AND HOSES	9-6
STEER AXLE ASSEMBLY	9-16
STEER COLUMN ASSEMBLY	9-12
STEER CONTROL UNIT AND ATTACHING PARTS	9-8
STEER CONTROL UNIT AND ATTACHING STEER HOSES	9-10
STEER CYLINDER	9-19
STEER TIRES AND WHEELS	
MICHELIN XZM	9-2
TRELLEBORG - SOLID TIRE	9-4
TRELLEBORG T-900	9-3
TRELLEBORG TR900	9-5
STEERING COLUMN	9-14
SUSPENSION KIT ASSEMBLY	1-14
T	
TELEMETRY KITS	16-3
TERMINAL BLOCK AND ATTACHING PARTS	
WITHOUT BATTERY DISCONNECT SWITCH	6-8
THERMOSTAT	2-49
THIRD SPEED CLUTCH ASSEMBLY	7-18
THROTTLE AND INCHING SENSORS	4-10
TIER 4(F) ENGINE HIGH MOUNTED EXHAUST CONVERSION KIT	
TIER 4(F) ENGINE LOW MOUNTED EXHAUST CONVERSION KIT	16-2
TILT CYLINDER ASSEMBLY	11-4
TILT CYLINDER ATTACHING PARTS	11-2
TRAINING SEAT	
CLOSED CAB	15-3
TRANSMISSION CONTROL	6-18
TRANSMISSION HOSES AND ATTACHING PARTS	
TIER 3 ENGINE	7-32
TIER 4(F) ENGINE	7-34
TRANSMISSION HOUSING	
PAGE 1 OF 2	7-8
PAGE 2 OF 2	7-10
TRANSMISSION SENSORS	7-12
TURBOCHARGER	2-50
TURBOCHARGER PLUMBING	2-52
U	
UNIVERSAL SHAFT	7-2
V	
VALVE COVER	2-54
VALVE TAPPETS	2-55

TABLE OF CONTENTS (continued)

DESCRIPTION	PAGE
VIBRATION DAMPER	2-56
W	
WATER INLET CONNECTION	2-57
WATER OUTLET CONNECTION	2-58
WATER PUMP	2-59
WATER PUMP AND DRIVE BELT	3-71
WINDOW WIPER SYSTEM	
REAR AND ROOF WIPER KITS AND FRONT WIPER OPTIONS - CLOSED CAB ONLY	1-40
WASHER BOTTLE KIT - CLOSED CAB ONLY	1-38
WIRE HARNESS	
ARMREST	6-24
CAB LIGHTS	6-28
CAB REAR LIGHTS	6-30
CAB SIDE CONSOLE - PAGE 1 OF 4	6-32
CAB SIDE CONSOLE - PAGE 2 OF 4	6-36
CAB SIDE CONSOLE - PAGE 3 OF 4	6-40
CAB SIDE CONSOLE - PAGE 4 OF 4	6-44
CAB TILT	6-49
CAB UNDERFLOOR	6-50
CHASSIS	6-54
CLOSED CAB	6-60
CLOSED CAB - ALTERNATE CONFIGURATION	6-64
DEF SYSTEM - TIER 4(F) ENGINE	6-68
ECM ADAPTER - TIER 3 ENGINE	6-71
ECM/EAS - TIER 4(F) ENGINE	6-72
ECO/ELO-HIP	6-70
FRONT END	6-75
FRONT LIGHTS	6-77
HOOD SPINE - TIER 3 ENGINE	6-78
HOOD SPINE - TIER 4(F) ENGINE	6-80
MAST LIGHT EXTENSION - 5310 MM LIFT HEIGHT AND HIGHER	6-82
MAST WORK LIGHT	6-83
OPEN CAB	6-84
POWERTRAIN	6-86
REAR WIPER EXTENSION - CLOSED CAB	6-88
SIDE AND INDICATOR LIGHTS	6-89
STEER COLUMN	6-90
STROBE LIGHT	6-91
TAIL LIGHTS (→ PENDING PER ECN 68671-15)	6-92
TAIL LIGHTS (PENDING PER ECN 68671-15 →)	6-93
WASH PUMPS - CLOSED CAB	6-95
WIRE HARNESS AND SWITCH ASSEMBLY	
MONOTROL PEDAL	6-96
WIRE MESH ROOF PROTECTION	15-14

ABBREVIATIONS QUICK REFERENCE SHEET

Listed below are abbreviations used in parts manuals to denote the following expressions:

TERM	DEFINITION	TERM	DEFINITION
Amp	Amperes	FRE	Freezer Environment
AR	As Required	in.	inches
BDI	Battery Discharge Indicators	LPG	Liquefied Petroleum Gas
BWI	Brush Wear Indicator	MAP	Manifold Absolute Pressure
CE	Communicator End	mm	millimeters
CRE	Corrosive Environment	MSTS	Microprocessor Spark Timing System
D/B	Date Break	NPT	National Pipe Threads
dbA	Decibel "A" Scale	O/S	Oversize
DE	Drive End	PTO	Power Take Off
ECH	Empty Container Handler	RPM	Revolutions per Minute
ECH-3	Empty Container Handler - 3 High Stacking	S/N	Serial Number
ECH-4	Empty Container Handler - 4 High Stacking	TMM	Truck Management Module
ECH-5	Empty Container Handler - 5 High Stacking	UL Type D	Diesel-Powered Safety Rating
ECH-6	Empty Container Handler - 6 High Stacking	UL Type DS	Diesel-Powered Safety Rating
ECH-7	Empty Container Handler - 7 High Stacking	UL Type E	Battery-Powered Safety Rating
ECM	Electronic Control Module	UL Type EE	Battery-Powered Safety Rating
ECN	Engineering Change Notice	UL Type ES	Battery-Powered Safety Rating
EEPROM	Electrically Erasable Programmable Read Only Memory	UL Type G	Gasoline-Powered Safety Rating
EPA	US Environmental Protection Agency	UL Type GS	Gasoline-Powered Safety Rating
EPROM	Electrically Programmable Read Only Memory	UL Type LP	Gas-Powered Safety Rating
		UL Type LPS	LP Gas-Powered Safety Rating
		U/S	Undersize
		UL	Underwriters Laboratory
		V	Volts

HOW TO USE THE ILLUSTRATED PARTS MANUAL

This parts manual describes and illustrates assemblies, subassemblies, and detail parts needed for service replacement.

The different constructions are indicated by keys and footnotes. The callouts correspond to descriptions found on the next page.

HYSTER UNIT CODE D001 NORTH AMERICA 06/2001

TABLE OF CONTENTS

DESCRIPTION	PAGE
AIR INTAKE AND FILTER DIESEL (⇒ D/B 11/98)	3-22
AIR INTAKE AND FILTER DIESEL (D/B 11/96 ⇒)	
AIR INTAKE AND FILTER GASOLINE AND LPG	
ALTERNATOR GASOLINE, LPG, AND DIESEL	
ALTERNATOR TYPES GS, LPS, AND DS	
AUXILIARY FUNCTION TUBE TWO AND THREE STAGE FULL F	

SECTION 13 NUMERICAL INDEX

PART NO.	PAGE NO.	ITEM NO.	PART NO.	PAGE NO.	ITEM NO.	PART NO.	PAGE NO.	ITEM NO.	PART NO.	PAGE NO.	ITEM NO.
142	3-4	19	10-13	25		11-27	29	12-31	12		
12445	3-32	19	10-17	6		11-31	25	16719	3-36	5	
	3-34	1	10-27	11		11-32	37	16751	3-16	27	
			11	11		9	9	16849	3-34	21	
			12	6	16485	8-4	29		3-38	20	
			13	13		8-4	45	16863	3-28	17	
			14	13		8-8	34	16865	3-6	18	
			17	6		9-7	9		4-27	41	
			18	17		9-7	19	16882	9-7	30	
			19	10		9-11	9		9-11	27	
			23	46		9-11	17		10-10	36	
			27	46		10-9	21		10-13	32	
			28	14		10-9	28		11-7	24	
			26	14		10-13	16		11-9	17	
			28	14		11-7	19				
			50	14							

SECTIONS

- 1
- 2
- 3
- 4
- 5 BRAKE/ACC
- 6
- 7 MAST-TWO STAG
- 8 MAST-THREE ST
- 9 MAST-TWO ST
- 10
- 11

TRANSMISSION HOUSING ⇒ S/N D001H-2628

KEY:
A: Diesel
B: Gasoline and LPG

ITEM	PART NO.	DESCRIPTION	QTY	
			A	B
1	202547	Transmission	1	1
2	2023329	Transmission	1	1
3	2021670	Case	2	2
4	2023418	Bearing Cap	4	4
5	296429	Washer	4	4
6	293947	Bolt	1	1
7	2021390	Cover	2	2
8	1371656	Colter Pin	4	4
9	2021915	O-Ring	1	1
10	2021329	Plug	4	4
11	2021675	Housing	22	22
12	2021336	Pin	39	39
13	287860	Lockwasher	1	1
14	292682	Hydraulic Pump	1	1
15	2021345	⇒ Figure 5-3	1	1
16	214364	Gasket	1	1
17	296418	Bolt	8	8
18	2021388	Washer	1	1
19	2021389	Temperature Switch	1	1
20	2021383	Breather	9	9
21	292515	Dipstick	9	9
22	136692	Bolt	2	2
23	292527	Nut	3	3
24	292531	Bolt	3	2
25	292583	Capscrew	4	4
26	293637	Lockwasher	4	4
	296420	Washer	1	1
	996403	Transmission Kit (Includes Item 7)	1	1
	996405	Transmission Kit (Includes Item 14)	1	1

This Parts Manual is divided into 11 major sections which are listed above. Quick be made by placing the right thumb on the tab of the desired section, bending the pages to the corresponding tab.

© Copy Right Date HYSTER COMPANY See Service Manual for service procedures. 5-15

HP990004

HOW TO FIND THE DESIRED PART NUMBER

WHEN THE PART NUMBER AND THE NEXT HIGHER ASSEMBLY IS NOT KNOWN:

1. Determine the function and application of the part required. Turn to the Sections Page. Choose the general area of reference most likely to include the part.
2. Turn to the section you chose. Use the Section Table of Contents to determine the assembly which would normally contain the part required. Then locate the part on the assembly breakdown page.

WHEN THE PART NUMBER IS NOT KNOWN AND THE NEXT HIGHER ASSEMBLY IS KNOWN:

3. Determine the assembly the required part is used on. Turn to the Table of Contents (Page i).
4. Locate the assembly the required part is used on and turn to the page indicated for that assembly. Then locate the part on the assembly breakdown page.

WHEN THE PART NUMBER IS KNOWN:

5. Use the Numerical Index (Page 17-1) to find the part number. Turn to the page listed and locate the part as indicated by the item number.

GENERAL:

The assembly breakdowns include part numbers, descriptions, quantities required, keys and footnotes to help in selecting correct parts.

6. Parts Supersession Information. Part numbers that have this history will be displayed in the parts list in the order that they were superseded (from oldest to newest). The superseded part numbers will be shown with a line through them.

Five periods in the PART NO. column (.) indicate that the part is either *Not Serviced Separately* or there is a reference to another figure. A figure reference is denoted by a pointing hand followed by a figure number in the DESCRIPTION column (☞ Figure 10)

7. Keys are used to show two or more similar assemblies, RH and LH assembly parts, etc. Select the appropriate key, "A", "B", "C", "D", or "E" and the corresponding quantity column to find the required parts. Two periods in the QTY column (..) indicate that the part is not used for that assembly.
8. Indented descriptions under the DESCRIPTION column are used to indicate assemblies and

subparts of assemblies. In the example on the previous page, *BEARING CAP* (Item 2) is a subpart of the major assembly *CASE*.

9. Quantities shown are for one assembly. The quantities of the subpart *BEARING CAP* are indicated as two and two. This means two per *CASE* assembly.
10. Serial number breaks identify the most current parts information and are shown as follows:
 - **S/N D001H2628**
Indicates last serial number affected.
 - S/N D001H2629** →
Indicates the first serial number affected.
 - S/N D001H1553** ↔ **S/N D001H3291**
Indicates a range of serial numbers affected.

ECN numbers for pending serial numbers are shown to allow for the inclusion of the most current parts information and are identified as follows:

→ **S/N Pending Per ECN 63243**

Indicates a pending serial number for last unit affected.

S/N Pending Per ECN 63243 →

Indicates a pending serial number for first unit affected.

Date breaks are used to indicate when a change occurred but a subsequent serial number break was not recorded. This is an arbitrary date usually based on the ECN release and are identified as follows:

→ **D/B 3/00**

Indicates that a change occurred sometime within that month for the item affected.

D/B 3/00 →

Indicates that a change occurred sometime within that month for the item affected.

D/B 3/00 ↔ **D/B 4/00**

Indicates a range of production dates of the item affected.

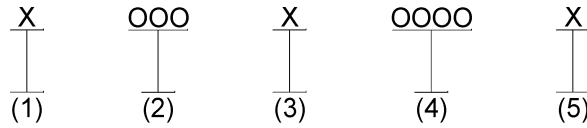
Contact your local dealer for Hyster lift trucks for serial number information for items with a ECN or a date break.

ORDERING PARTS:

When ordering replacement parts, give the unit serial number, part number, name of part and quantity required.

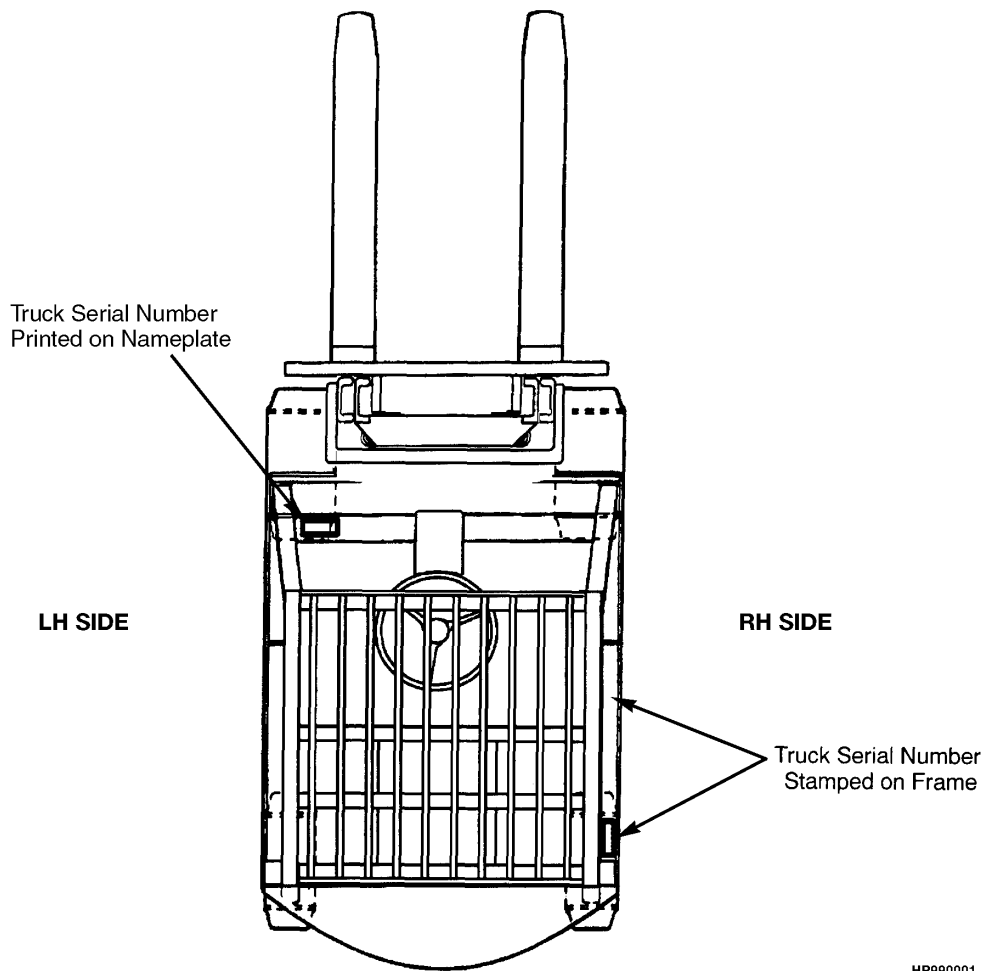
For any further information on parts, service, or ordering, consult your local dealer for Hyster lift trucks.

IDENTIFICATION OF TRUCK SERIAL NUMBERS

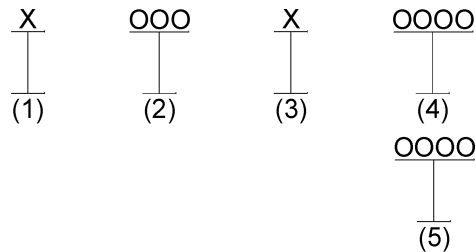


- (1) and (2) The first letter and three numbers indicate the truck unit code.
- (3) The second letter indicates the plant of manufacture.
- (4) The four or five digit number indicates the production sequence number of the truck.
- (5) The final letter indicates the year of manufacture starting with "A" in 1957, 1980, and 2003. The letters "I", "O", and "Q" will not be used.

For pending serial numbers contact your local dealer for Hyster lift trucks.



Parts referred to in this book as right or left hand parts are in accordance with the illustration above.

IDENTIFICATION OF MAST SERIAL NUMBERS

- (1) and (2) The first letter and number indicates the mast unit code.
 (3) The second letter indicates the plant of manufacture.
 (4) The four or five digit number indicates the production sequence number of the mast.
 (5) Carriage travel in millimeters stamped just below the serial number.

Mast Group identification consists of mast unit code (1) and (2) plus carriage travel (5).

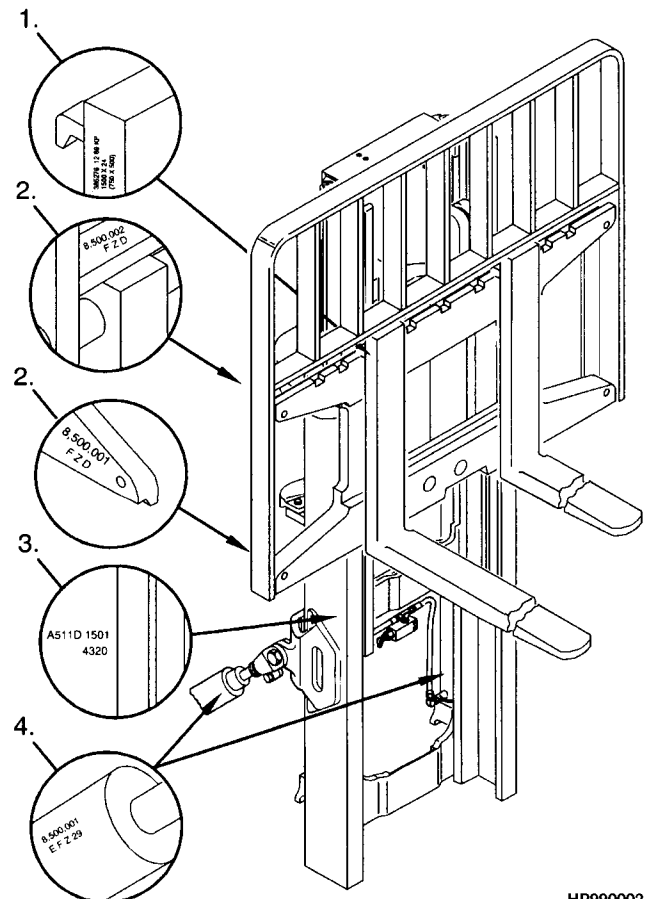
For pending production sequence numbers contact your local dealer for Hyster lift trucks.

LIFT EQUIPMENT IDENTIFICATION

1. Fork part number, capacity rating, plant code letter, and date of manufacture are stamped approximately six inches below the top of most forks.
2. The carriage group number is stamped on the right hand side of the top crossmember (pin type) or on the back of the right hand end of the bottom crossmember (hook type). A date code has two letters in line with or below the carriage group number.
3. The mast identification number has a unit code, a letter indicating the plant of manufacture, and a serial number. Underneath the production sequence number is a four digit number that indicates the carriage travel in millimeters.
4. Tilt and lift cylinder group numbers are stamped on the cylinder shell.

Always refer to the group, serial, or part number when ordering service parts.

Modification of masts and carriages by SPED (Special Products Engineering Department) are identified by a model prefix code beginning with the letter "S". contact your dealer for Hyster lift trucks for information on these assemblies.



HP990002